



FAT PULLER



foodmate

Poultry Processing Systems

The Foodmate Fatpuller is a stainless steel constructed, automatic fat remover. The remaining fat will be removed by a screw and in combination with a vacuum system the

fat will be removed and transported to a offal tank. There is also a cleaning option to clean the vacuum unit with water after production.



Our mission is to innovate, automate and bring cost-effective solutions to the industry.

Key Benefit:

- Allows for a maximum of 6,000 birds per hour
- Removing remaining fat

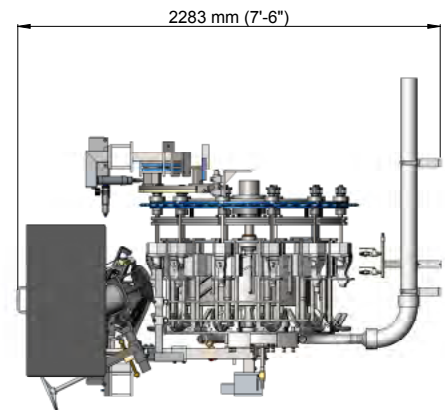
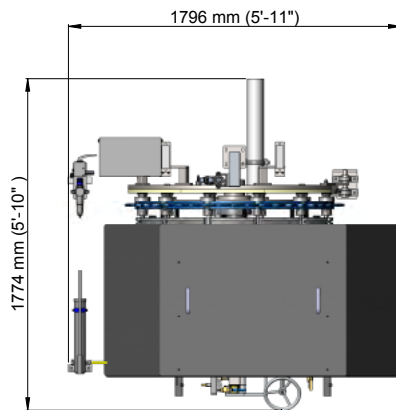
Foodmate is an equipment manufacturing company based in the Netherlands. Founded in 2006, we focus primarily on poultry processing, and we recently launched Foodmate Brasil, expanding our worldwide distribution into South America. Driven by research, paired with unmatched knowledge and decades of experience, it's our mission to innovate, automate and bring cost-effective solutions to the industry.

Our product line spans a wide assortment of processing equipment designed for live bird handling, killing and de-feathering, eviscerating, chilling, weighing, cut-up systems, deboning and more.

Our team represents decades of industry knowledge and experience resulting in the engineering, development and implementation of new designs for our clients and their ever-changing needs.

Technical Specifications:

- Stainless steel frame
- Machine dimensions:
 - Length: 2283 mm
 - Width: 1796 mm
 - Height: 1774 mm
 - Weight: approx. 350 kg



FOODMATE B.V.
The Netherlands
Phone: +31 186 630 240
info@foodmate.nl • www.foodmate.nl

FOODMATE POLSKA
Poland
Phone: +48 601 270 015
biuro@foodmate.nl • www.foodmate.pl

FOODMATE US
U.S.A.
Phone: +1 678 819 5270
info@foodmateusa.com • www.foodmateus.com

FOODMATE BRASIL
Brasil
Phone: +55 19 3308 7768
foodmatebrasil@foodmate.br.com • www.foodmate.nl



FOODMATE UK LTD
United Kingdom
Phone: +44 33330 11110
info@foodmate.uk • www.foodmate.uk