



AUTOMATIC BREAST CAP DEBONER

FM 7.50



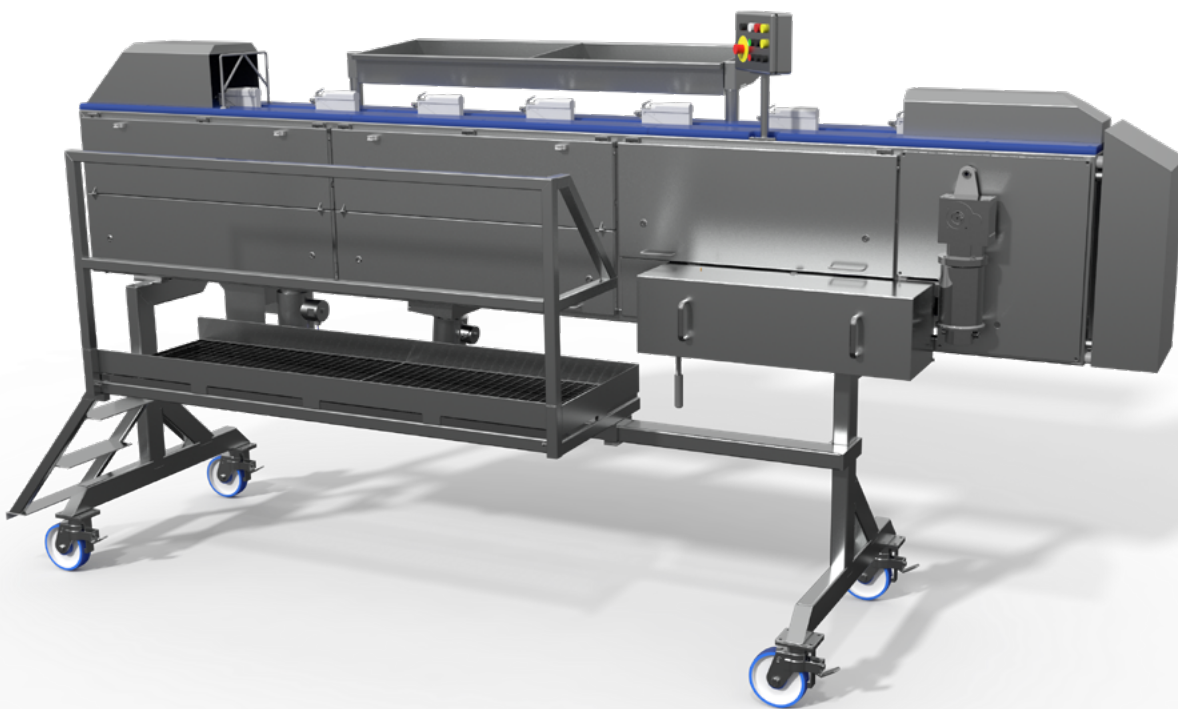
foodmate

Poultry Processing Systems

The Foodmate FM 7.50 breast cap deboning machine de-bones up to 3,000 breast caps per hour. The machine produces single, as well as butterfly fillets and features an automatic skinning and blister remover device. The breast cap deboner is easy to operate and can be loaded manually by one to two workers. Its design allows for adding a

transport belt under the machine.

The FM 7.50 requires minimal floor space and is easily moved. Constructed with stainless steel and food approved nylons for hygiene, Foodmate has taken the additional steps of equipping the FM 7.50 with stainless steel wash down motors.





AUTOMATIC BREAST CAP DEBONER

FM 7.50

Key Benefit:

- Allows for a maximum of 3,000 birds per hour.
- Stainless steel and food approved nylon constructed breast deboner for whole filets (butterfly) or ½ fillets.
- Raised construction for installation of a belt conveyor underneath the machine.
- Machine is suitable for breasts with out back bone, with or without skin.
- Including deskinning unit, blister remover and precut device.

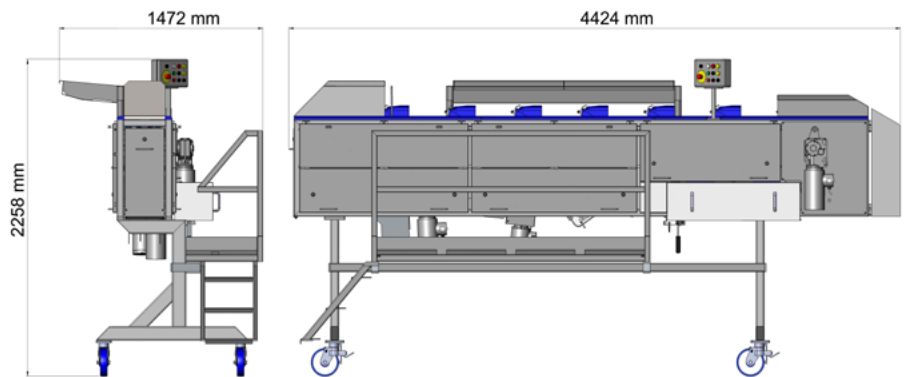
Foodmate is an equipment manufacturing company based in the Netherlands. Founded in 2006, we focus primarily on poultry processing, and we recently launched Foodmate Brasil, expanding our worldwide distribution into South America. Driven by research, paired with unmatched knowledge and decades of experience, it's our mission to innovate, automate and bring cost-effective solutions to the industry.

Our product line spans a wide assortment of processing equipment designed for live bird handling, killing and de-feathering, eviscerating, chilling, weighing, cut-up systems, deboning and more.

Our team represents decades of industry knowledge and experience resulting in the engineering, development and implementation of new designs for our clients and their ever-changing needs.

Technical Specifications:

- Stainless steel frame and motor
- Motor (IP66) power is 2,5 kW
- Machine dimensions:
 - Length: 4424 mm
 - Width: 1472 mm
 - Height: 2258 mm
 - Weight: approx. 1050 kg



FOODMATE B.V.
The Netherlands
Phone: +31 186 630 240
info@foodmate.nl • www.foodmate.nl

FOODMATE POLSKA
Poland
Phone: +48 601 270 015
biuro@foodmate.nl • www.foodmate.pl

FOODMATE US
U.S.A.
Phone: +1 678 819 5270
info@foodmateusa.com • www.foodmateus.com

FOODMATE BRASIL
Brasil
Phone: +55 19 3308 7768
foodmatebrasil@foodmate.br.com • www.foodmate.nl



FOODMATE UK LTD
United Kingdom
Phone: +44 33330 11110
info@foodmate.uk • www.foodmate.uk