



AUTOMATIC NECK BREAKER

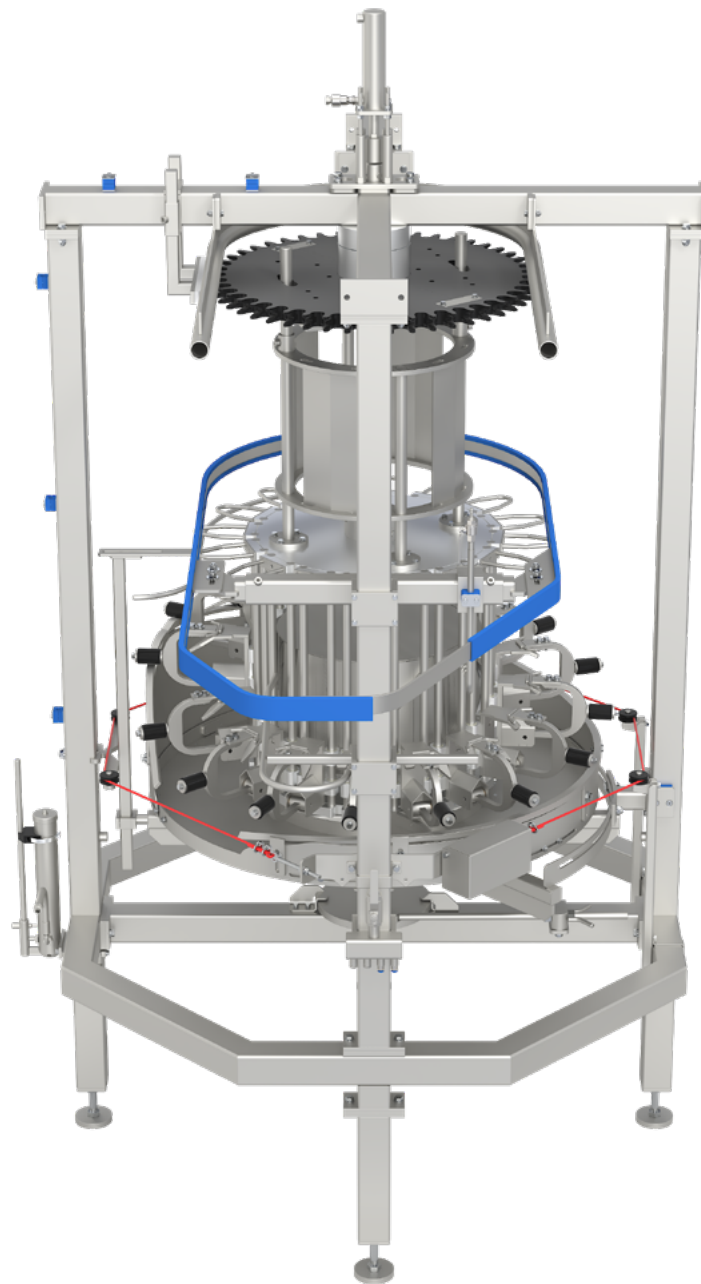


foodmate

Poultry Processing Systems

The Foodmate Automatic Neck Breaker is utilized to break the neck at the breast side of the product, in various types of poultry. Each unit is capable of breaking the neck and stripping it off the bird with the neck skin attached to the product. This machine has its own collection tray and wiper to ensure the necks are unloaded at one location. The Neck Breaker is fitted with 16 breaking units and a

drum with position mechanisms to locate a correct position prior to actual neck breaking. It also allows for adjustable infeed timing and height adjustment for various weight ranges. The machine needs to be hooked up to the main water supply to clean each breaker unit after each cycle. It is stainless steel and food approved nylon constructed and is driven by the overhead conveyor system.



Our mission is to innovate, automate and bring cost-effective solutions to the industry.



AUTOMATIC NECK BREAKER

Key Benefits:

- Allows for a maximum of 9,000 birds per hour

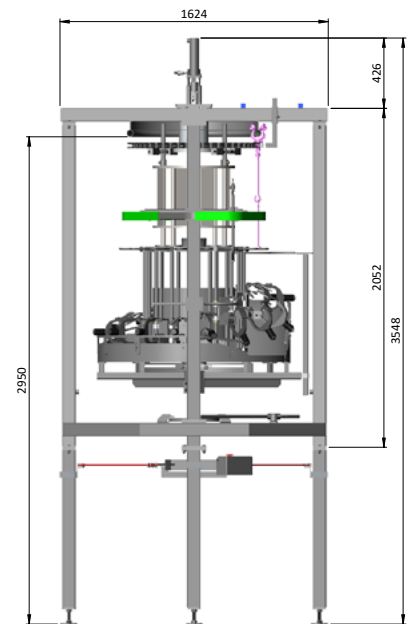
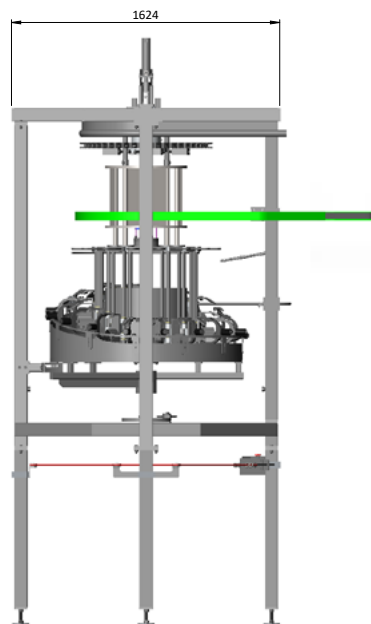
Foodmate is an equipment manufacturing company based in the Netherlands. Founded in 2006, we focus primarily on poultry processing, and we recently launched Foodmate Brasil, expanding our worldwide distribution into South America. Driven by research, paired with unmatched knowledge and decades of experience, it's our mission to innovate, automate and bring cost-effective solutions to the industry.

Our product line spans a wide assortment of processing equipment designed for live bird handling, killing and defeathering, eviscerating, chilling, weighing, cut-up systems, deboning and more.

Our team represents decades of industry knowledge and experience resulting in the engineering, development and implementation of new designs for our clients and their ever-changing needs.

Technical Specifications:

- Stainless steel frame
- Units: 16
- Pitch: 6"
- Rotation: CW/CCW
- Conveyor type:
 - Pipe
 - T-track
- Machine dimensions
 - Length: 1624 mm
 - Width: 1624 mm
 - Height: 3548 mm
 - Weight: approx. 686 kg



FOODMATE B.V.
The Netherlands
Phone: +31 186 630 240
info@foodmate.nl • www.foodmate.nl

FOODMATE POLSKA
Poland
Phone: +48 601 270 015
biuro@foodmate.nl • www.foodmate.pl

FOODMATE US
U.S.A.
Phone: +1 678 819 5270
info@foodmateusa.com • www.foodmateus.com

FOODMATE BRASIL
Brasil
Phone: +55 19 3308 7768
foodmatebrasil@foodmate.br.com • www.foodmate.nl


foodmate

FOODMATE UK LTD
United Kingdom
Phone: +44 33330 11110
info@foodmate.uk • www.foodmate.uk