



THIGH & DRUMSTICK CUTTER

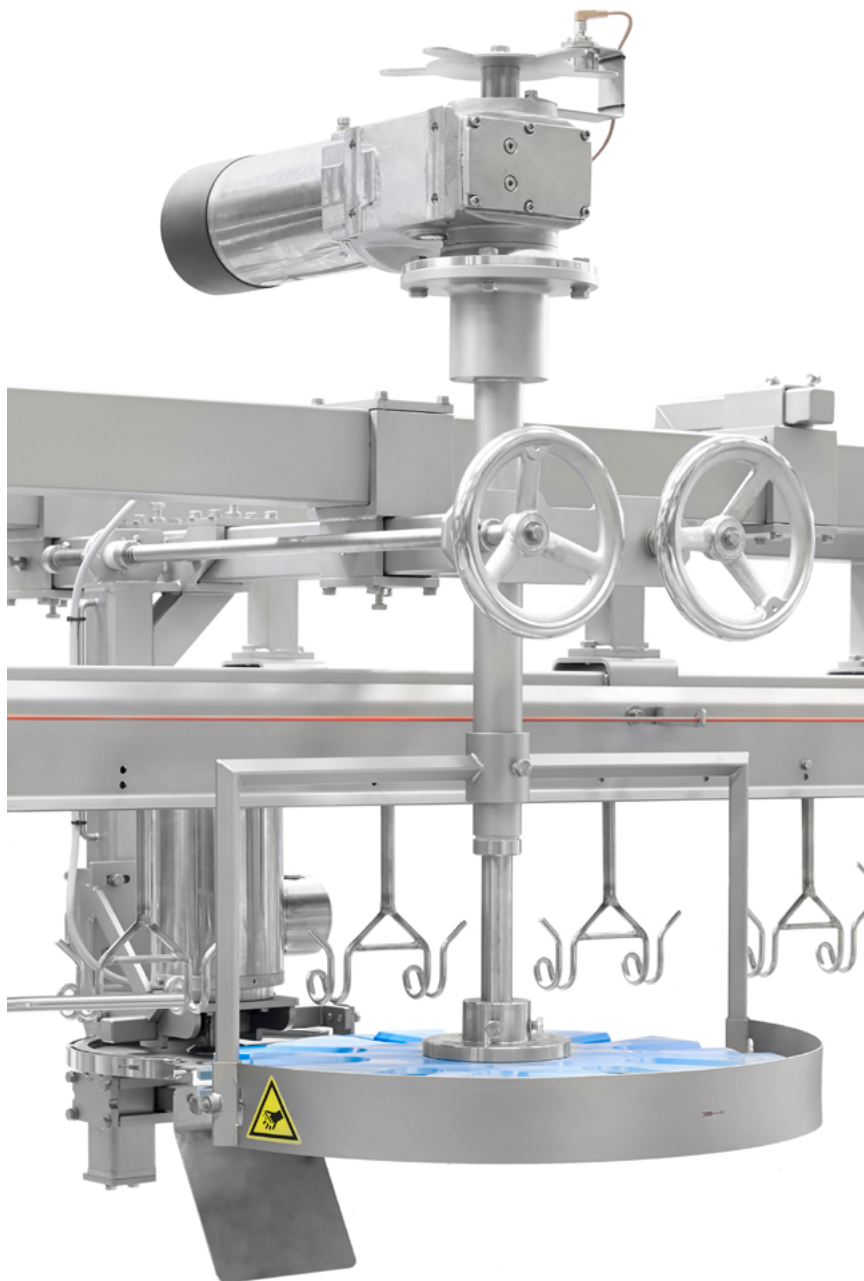


foodmate

Poultry Processing Systems

The Foodmate Thigh & Drumstick Cutter is a multi-purpose machine that can be used for both retail and food service applications. It has a simple construction design that contains no rebuild points, thus reducing the cost of ownership. It provides an anatomic cut and

depending on the type of cut, various configurations are possible. The electrical sync allows for more accurate cutting and the absence of a 90 degree gear box lowers maintenance costs.



Our mission is to innovate, automate and bring cost-effective solutions to the industry.

THIGH & DRUMSTICK CUTTER

Key Benefits:

- Improves cut quality due to direct drive motor
- Increases line speed due to the direct drive gear box
- Allows for easy access to make adjustments
- Improves product appearance due to the direct drive motor
- Allows for a maximum of 6,000 birds per hour

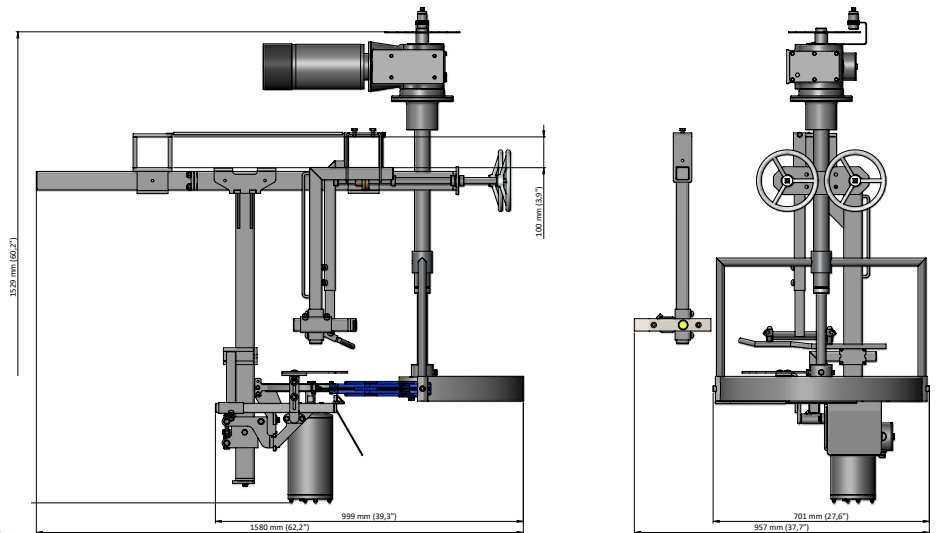
Foodmate is an equipment manufacturing company based in the Netherlands. Founded in 2006, we focus primarily on poultry processing, and we recently launched Foodmate Brasil, expanding our worldwide distribution into South America. Driven by research, paired with unmatched knowledge and decades of experience, it's our mission to innovate, automate and bring cost-effective solutions to the industry.

Our product line spans a wide assortment of processing equipment designed for live bird handling, killing and defeathering, eviscerating, chilling, weighing, cut-up systems, deboning and more.

Our team represents decades of industry knowledge and experience resulting in the engineering, development and implementation of new designs for our clients and their ever-changing needs.

Technical Specifications:

- Stainless steel frame and motor
- Motor (IP66) power is 2 x 0,75 kW
- Machine dimensions:
 - Length: 1580 mm
 - Width: 957 mm
 - Height: 1529 mm
 - Weight: approx. 130 kg



FOODMATE B.V.
The Netherlands
Phone: +31 186 630 240
info@foodmate.nl • www.foodmate.nl

FOODMATE POLSKA
Poland
Phone: +48 601 270 015
biuro@foodmate.nl • www.foodmate.pl

FOODMATE US
U.S.A.
Phone: +1 678 819 5270
info@foodmateusa.com • www.foodmateus.com

FOODMATE BRASIL
Brasil
Phone: +55 19 3308 7768
foodmatebrasil@foodmate.br.com • www.foodmate.nl


foodmate

FOODMATE UK LTD
United Kingdom
Phone: +44 33330 11110
info@foodmate.uk • www.foodmate.uk