



## HALVING MACHINE

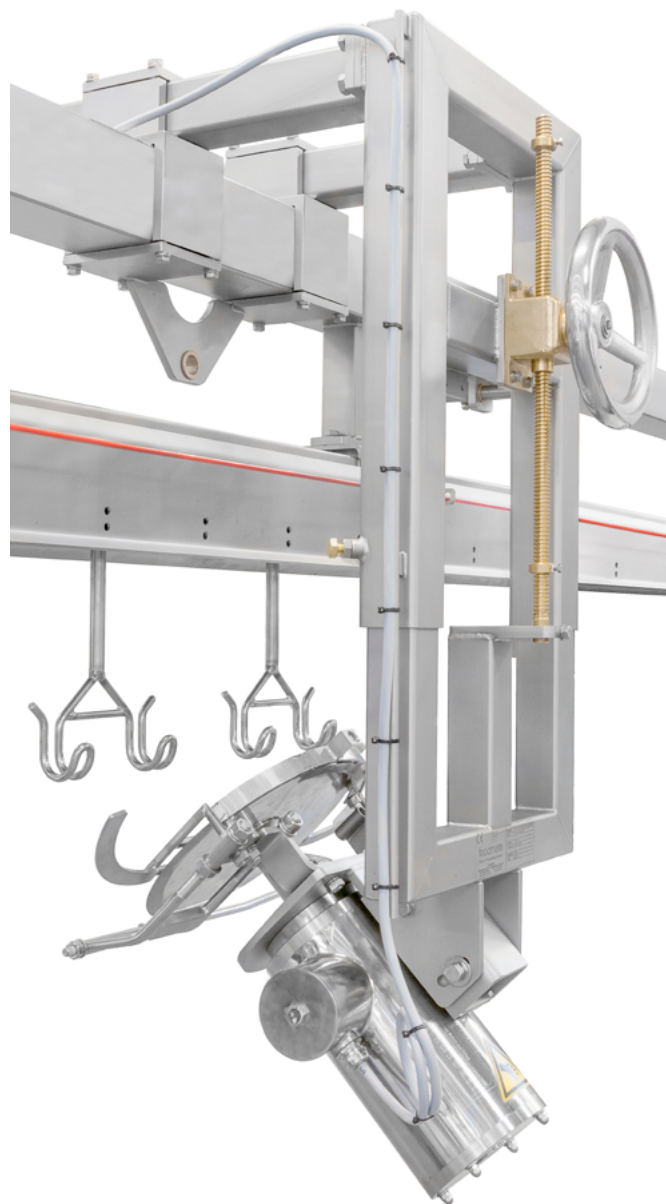


**foodmate**

Poultry Processing Systems

The Foodmate Halving Machine separates the front half from the chicken. The machine also can be used to cut off the remaining backbone piece after using the FM Front Piece Cutter. It requires minimal

maintenance and is easy to clean. The Halving Machine can be installed on current configurations or newly constructed Frame and Flex Lines.



Our mission is to innovate, automate and bring cost-effective solutions to the industry.



# HALVING MACHINE

## Key Benefits:

- Allows for a maximum of 6,000 birds per hour

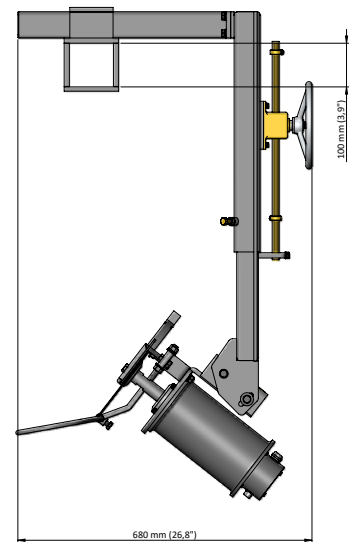
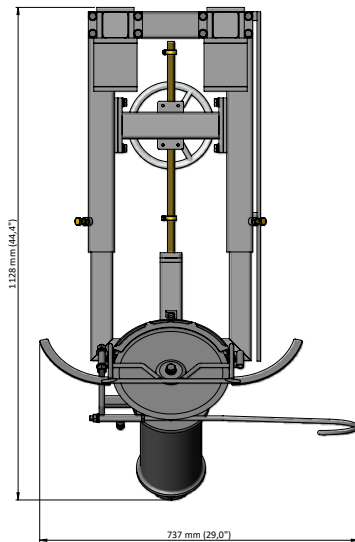
Foodmate is an equipment manufacturing company based in the Netherlands. Founded in 2006, we focus primarily on poultry processing, and we recently launched Foodmate Brasil, expanding our worldwide distribution into South America. Driven by research, paired with unmatched knowledge and decades of experience, it's our mission to innovate, automate and bring cost-effective solutions to the industry.

Our product line spans a wide assortment of processing equipment designed for live bird handling, killing and de-feathering, eviscerating, chilling, weighing, cut-up systems, deboning and more.

Our team represents decades of industry knowledge and experience resulting in the engineering, development and implementation of new designs for our clients and their ever-changing needs.

## Technical Specifications:

- Stainless steel frame and motor
- Motor (IP66) power is 0,75 kW
- Machine dimensions:
  - Length: 737 mm
  - Width: 680 mm
  - Height: 1128 mm
  - Weight: approx. 95 kg



FOODMATE B.V.  
The Netherlands  
Phone: +31 186 630 240  
info@foodmate.nl • www.foodmate.nl

FOODMATE POLSKA  
Poland  
Phone: +48 601 270 015  
biuro@foodmate.nl • www.foodmate.pl

FOODMATE US  
U.S.A.  
Phone: +1 678 819 5270  
info@foodmateusa.com • www.foodmateus.com

FOODMATE BRASIL  
Brasil  
Phone: +55 19 3308 7768  
foodmatebrasil@foodmate.br.com • www.foodmate.nl



foodmate

FOODMATE UK LTD  
United Kingdom  
Phone: +44 33330 11110  
info@foodmate.uk • www.foodmate.uk