



FLEXIBLE UNLOADER



foodmate

Poultry Processing Systems

The Foodmate Flexible Unloader is designed to unload legs or drumsticks from the cut up shackle. When the shackles pass the Unloader, legs or drumsticks will be unloaded by a guide bar system.

The unloaded parts can drop into a bin or on a conveyor belt. The Flexible Unloader can be installed on current configurations or newly constructed Frame and Flex Lines.



FLEXIBLE UNLOADER

Key Benefit:

- Allows for easy adjustments due to the simple construction and no moving parts

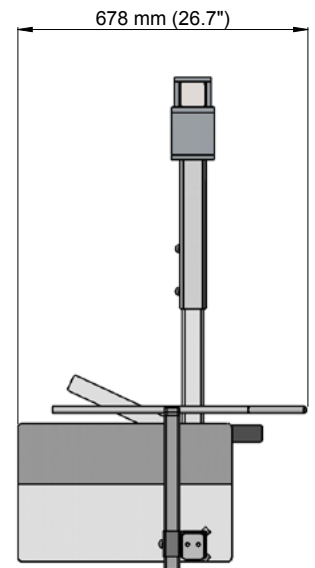
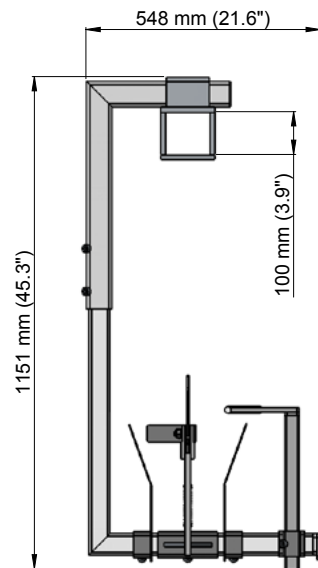
Foodmate is an equipment manufacturing company based in the Netherlands. Founded in 2006, we focus primarily on poultry processing, and we recently launched Foodmate Brasil, expanding our worldwide distribution into South America. Driven by research, paired with unmatched knowledge and decades of experience, it's our mission to innovate, automate and bring cost-effective solutions to the industry.

Our product line spans a wide assortment of processing equipment designed for live bird handling, killing and defeathering, eviscerating, chilling, weighing, cut-up systems, deboning and more.

Our team represents decades of industry knowledge and experience resulting in the engineering, development and implementation of new designs for our clients and their ever-changing needs.

Technical Specifications:

- Stainless steel frame
- Machine dimensions:
 - Length: 678 mm
 - Width: 548 mm
 - Height: 1151 mm
 - Weight: approx. 40 kg



FOODMATE B.V.
The Netherlands
Phone: +31 186 630 240
info@foodmate.nl • www.foodmate.nl

FOODMATE POLSKA
Poland
Phone: +48 601 270 015
biuro@foodmate.nl • www.foodmate.pl

FOODMATE US
U.S.A.
Phone: +1 678 819 5270
info@foodmateusa.com • www.foodmateus.com

FOODMATE BRASIL
Brasil
Phone: +55 19 3308 7768
foodmatebrasil@foodmate.br.com • www.foodmate.nl


foodmate

FOODMATE UK LTD
United Kingdom
Phone: +44 33330 11110
info@foodmate.uk • www.foodmate.uk