



AUTOMATIC VENT CUTTER

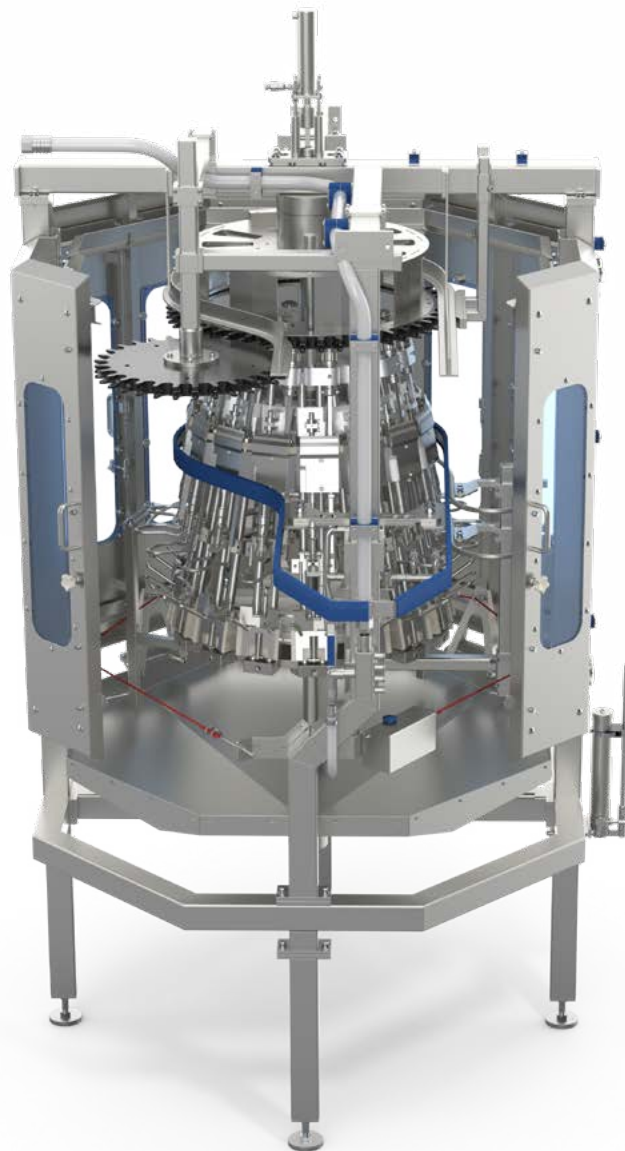


foodmate

Poultry Processing Systems

The Foodmate Automatic Vent Cutter is used to release the bursa fabricius and then vent and position it on the back of the bird, in various types of poultry. By utilizing cylinder blades of the correct diameter in relation to the product size/weight, a perfect vent cut is made, thus avoiding weight loss and damage to the intestines. The machine is fitted with 16 vent cutting units that, by means of tail rollers and breast holders, position the

birds in the correct way prior to vent cutting. The machine provides adjustable infeed timing and height adjustments for different weight ranges. The cylinder blades are line driven and after each cycle, cylinder blades are then cleaned by water. It is stainless steel and food approved nylon constructed, and driven by the overhead conveyor system.



Our mission is to innovate, automate and bring cost-effective solutions to the industry.



AUTOMATIC VENT CUTTER

Key Benefit:

- Allows for a maximum of 9,000 birds per hour

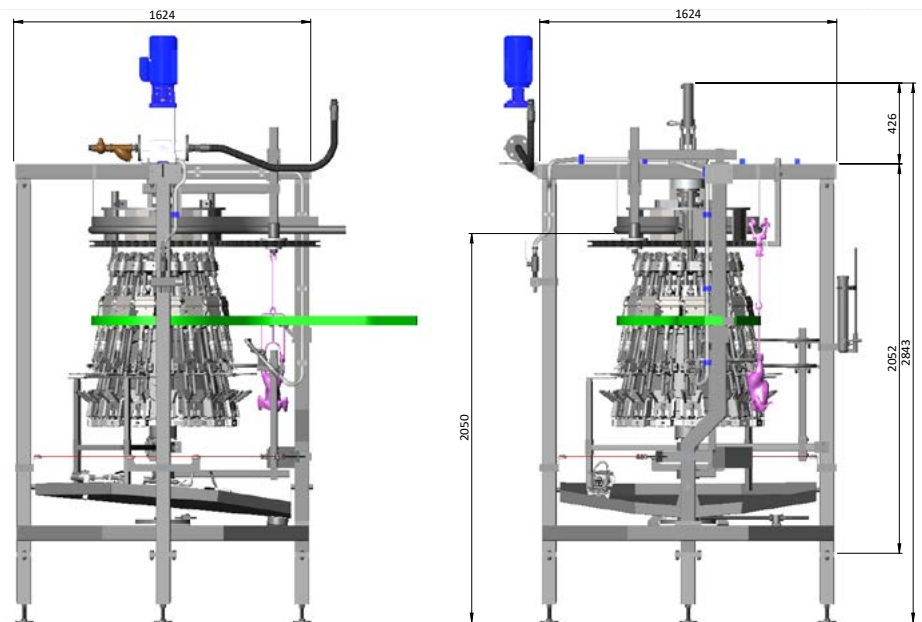
Foodmate is an equipment manufacturing company based in the Netherlands. Founded in 2006, we focus primarily on poultry processing, and we recently launched Foodmate US, expanding our worldwide distribution into North America. Driven by research, paired with unmatched knowledge and decades of experience, it's our mission to innovate, automate and bring cost-effective solutions to the industry.

Our product line spans a wide assortment of processing equipment designed for live bird handling, killing and defeathering, eviscerating, chilling, weighing, cut-up systems, deboning, and more. In addition to manufacturing, we provide an extensive variety of spare parts and service for other processing equipment and reconditioned machines.

Our team represents decades of industry knowledge and experience resulting in the engineering, development and implementation of new designs for our clients and their ever-changing needs.

Technical Specifications:

- Stainless steel frame
- Units: 16
- Pitch: 6" or 8"
- Rotation: CW/CCW
- Conveyor type:
 - Pipe
 - T-track
- Machine dimensions
 - Length: 1624 mm
 - Width: 1624 mm
 - Height: 2843 mm
 - Weight: approx. 896 kg



FOODMATE B.V.
The Netherlands
Phone: +31 186 630 240
info@foodmate.nl • www.foodmate.nl

FOODMATE POLSKA
Poland
Phone: +48 601 270 015
poland@foodmate.nl • www.foodmate.pl

FOODMATE US
U.S.A.
Phone: +1 678 819 5270
info@foodmateusa.com • www.foodmateus.com

FOODMATE BRASIL
Brasil
Phone: +55 19 3308 7768
foodmatebrasil@foodmate.br.com • www.foodmate.nl



FOODMATE UK LTD
United Kingdom
Phone: +44 33330 11110
info@foodmate.uk • www.foodmate.uk